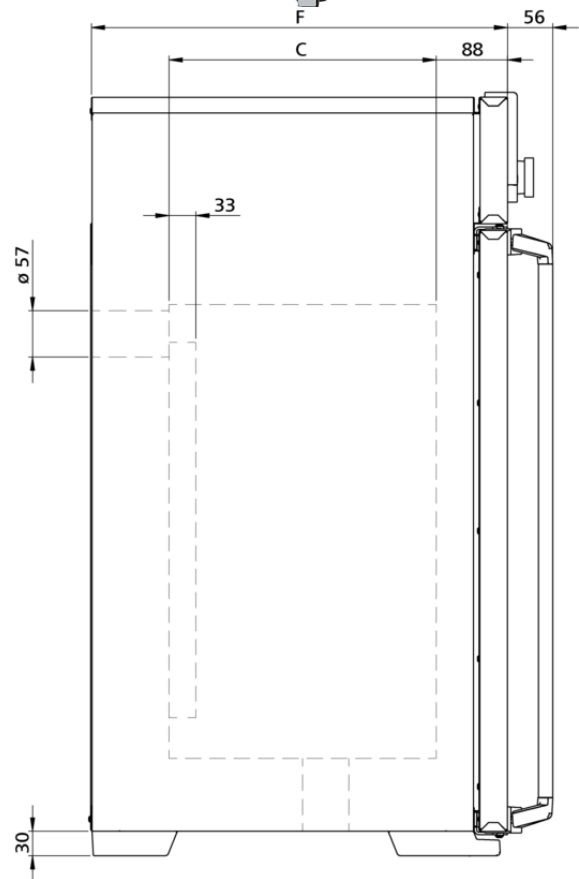
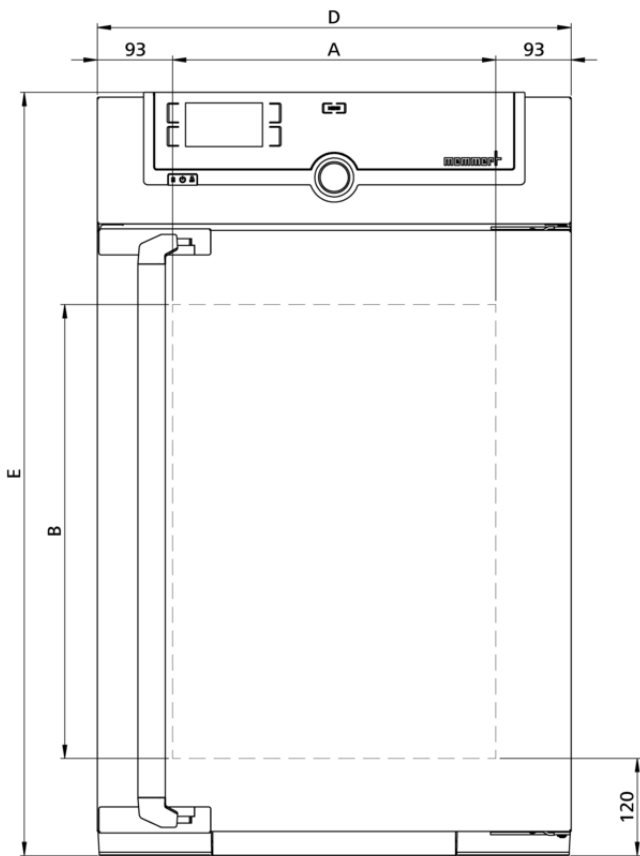


### IF75

The incubator I is perfect for the world of research, medicine, pharmaceuticals and food analytics, as well as food chemistry.



## Temperature

**Setting temperature range** +20 to +80 °C

**Working temperature range** min. 10°C above ambient up to +80°C

**Setting accuracy temperature** 0.1 °C

**Temperature sensor** 1 Pt100 sensor DIN class A in 4-wire-circuit

## Control technology

**ControlCOCKPIT** SingleDISPLAY. Adaptive multifunctional digital PID-microprocessor controller with high-definition TFT-colour display

**Timer** Digital backwards counter with target time setting, adjustable from 1 minute to 99 days

**Function SetpointWAIT** the process time does not start until the set temperature is reached

**Calibration** three freely selectable temperature values

**adjustable parameters** temperature (Celsius or Fahrenheit), fan speed, air flap position, programme time, time zones, summertime/wintertime

## Ventilation

**Fan** forced air circulation by quiet air turbine, adjustable in 10 % steps

**Fresh air** Admixture of pre-heated fresh air by electronically adjustable air flap

**Vent** vent connection with restrictor flap

## Communication

**Documentation** programme stored in case of power failure

**Programming** AtmoCONTROL software for reading out, managing and organising the data logger via Ethernet interface (temporary trial version can be downloaded). USB stick with AtmoCONTROL software available as accessory (on demand).

## Safety

**Temperature control** adjustable electronic overtemperature monitor and mechanical temperature limiter TB, protection class 1 according to DIN 12880 to switch off the heating approx. 20°C above nominal temperature

**Autodiagnostic system** for fault analysis

## Standard equipment

**Works calibration certificate** incl. works calibration certificate for +37°C

**Door** fully insulated stainless steel door with 2-point locking (compression door lock)

**Door** inner glass door

**Internals** 2 stainless steel grid(s), electropolished

## Stainless steel interior

|                                  |  |
|----------------------------------|--|
| <b>Dimensions</b>                | $w_{(A)} \times h_{(B)} \times d_{(C)}$ : 400 x 560 x 330 mm (d less 39 mm for fan)  |
| <b>Interior</b>                  | easy-to-clean interior, made of stainless steel, reinforced by deep drawn ribbing with integrated and protected large-area heating on four sides |
| <b>Volume</b>                    | 74 l   |
| <b>Max. number of internals</b>  | 6  |
| <b>Max. loading of chamber</b>   | 120 kg   |
| <b>Max. loading per internal</b> | 20 kg  |

## Textured stainless steel casing

|                   |  |
|-------------------|--|
| <b>Dimensions</b> | $w_{(D)} \times h_{(E)} \times d_{(F)}$ : 585 x 944 x 514 mm (d +56mm door handle) |
| <b>Housing</b>    | rear zinc-plated steel   |

## Electrical data

|                        |                 |
|------------------------|-----------------|
| <b>Voltage</b>         | 230 V, 50/60 Hz |
| <b>Electrical load</b> | approx. 1250 W  |
| <b>Voltage</b>         | 115 V, 50/60 Hz |
| <b>Electrical load</b> | approx. 900 W   |

## Ambient conditions

|                                 |   |
|---------------------------------|---|
| <b>Set Up</b>                   | The distance between the wall and the rear of the appliance must be at least 15 cm. The clearance from the ceiling must not be less than 20 cm and the side clearance from walls or nearby appliances must not be less than 5 cm. |
| <b>Altitude of installation</b> | max. 2,000 m above sea level  |
| <b>Ambient temperature</b>      | +5 °C to +40 °C   |
| <b>Humidity rh</b>              | max. 80 %, non-condensing   |
| <b>Overvoltage category</b>     | II  |
| <b>Pollution degree</b>         | 2   |

## Packing/shipping data

|                                       |  |
|---------------------------------------|--|
| <b>Transport information</b>          | The appliances must be transported upright |
| <b>Customs tariff number</b>          | 8419 8998                                  |
| <b>Country of origin</b>              | Federal Republic of Germany                |
| <b>WEEE-Reg.-No.</b>                  | DE 66812464                                |
| <b>Dimensions approx incl. carton</b> | w x h x d: 730 x 1130 x 670 mm             |
| <b>Net weight</b>                     | approx. 66 kg                              |
| <b>Gross weight carton</b>            | approx. 85 kg                              |

**Standard units are safety-approved and bear the test marks**

